



OWNERS MANUAL

464™ LEVER ACTION RIMFIRE LEVER ACTION RIFLE

IMPORTANT “SAFETY WARNINGS” — NOTE THE SYMBOL:



THESE SAFETY WARNINGS ARE FOR YOUR PROTECTION AS WELL AS THE SAFETY OF OTHERS. DISREGARDING INFORMATION IN THIS MANUAL COULD CAUSE SERIOUS INJURY OR DEATH TO YOU OR THOSE AROUND YOU.



Be certain this owner’s manual is available for reference and is kept with this firearm if transferred to another party. If this manual is lost or misplaced, contact the Product Service Center for a free replacement copy or visit www.mossberg.com.



After performing any work on your firearm such as cleaning, adjustments, disassembly or installation of any accessory, the firearm should be re-checked for proper functioning before firing live ammunition.



Firearms are complex mechanisms. Any modification, alteration, or improper fitting of parts may result in a dangerous malfunction, damage to the firearm, and could cause serious injury or death to you or those around you. The firearm’s owner must accept full responsibility for the correct reassembly and functioning of the firearm after any disassembly or replacement of parts.



If you do not understand any of the material in this manual or have any questions, contact the Product Service Center or a qualified gunsmith.



Do not attempt to load, handle or use your firearm until you read and understand the information contained in this owner’s manual. Before handling your firearm, you should learn how it operates and how to maintain it. This includes knowing its basic parts, how the manual safety and other safety features operate, how to safely open and close the action and how to safely load and unload ammunition from the firearm. Improper use and handling is dangerous and could cause serious injury or death to you or those around you. All users of the firearm must become thoroughly familiar with the instructions in this manual.

O.F. MOSSBERG & SONS, INC.

P.O. BOX 497 • 7 GRASSO AVENUE, NORTH HAVEN, CT 06473

PHONE (800) 363-3555

www.mossberg.com

Safety and safe firearms handling is everyone’s responsibility.



As the owner of a firearm, you must undertake the full-time responsibility of safe firearms handling for your own safety and the safety of those around you:

- Keep all firearms and ammunition out of the reach of children.
- Store your firearms and ammunition separately.
- Never store a loaded firearm.
- Never leave a loaded firearm unattended.
- Never transport a loaded firearm in a vehicle. When transporting your firearm, keep it unloaded, stored and secured within the confines of the vehicle.
- Unload your firearm when you have stopped shooting or when you have to climb a tree, fence or cross a slippery surface. Keeping your firearm unloaded when not in use will prevent an unintentional discharge should you accidentally slip, fall, drop or jar your firearm.
- The safety should remain fully in the "ON" (SAFE) position and the firearm unloaded at all times until you are in a place where it is safe to shoot, keeping your finger off the trigger and outside the trigger guard until you are aiming at the intended target and have decided to fire.
- Never shoot at water, rocks or any hard surfaces. Shots may glance off such surfaces and could cause serious injury or death to you or those around you.
- Do not use alcohol or drugs before or while handling firearms.
- Do not touch the trigger while the safety is being engaged or disengaged.



Always point the muzzle of your firearm in a safe direction, regardless of whether the firearm is loaded or unloaded. You should become thoroughly familiar with the function and operation of this firearm and the instructions supplied with it.



Always treat every firearm as if it is loaded. Give your firearm to someone with the action open (bolt fully rearward), and the safety fully to the "ON" (SAFE) position, after you verify the firearm is unloaded. Insist on the same procedure when receiving a firearm from someone else. Learn the location of all the safety features of your firearm and how they operate.



Always wear eye and ear protection when shooting. Shooting without proper ear protection can cause hearing damage. The use of eye protection during any type of shooting is important to protect your vision.



When using a firearm with mounted optics, maintain an adequate distance between the rear of the scope and your face at all times. Be certain the scope installation does not interfere with access to, or the proper functioning of the safety button.



We specifically disclaim any responsibility for damage or injury whatsoever occurring in connection with, or as a result of, the use of faulty, or non-SAAMI standard, or "remanufactured", or hand-loaded (reloaded) ammunition. Additionally, we disclaim any responsibility for damage or injury which results from any modifications or changes that are not a part of the firearm as delivered from the factory.



Learn to clean your firearm thoroughly and make certain no oil, grease or other materials are blocking the barrel. Obstructions of any kind can cause damage to the firearm resulting in personal injury.

Practice proper firearm maintenance and safety. Make sure all exposed metal surfaces are coated with a thin film of oil, especially after being exposed to damp weather. (See the proper section of this manual for cleaning instructions.) Do not plug the barrel or store in a fabric-lined case, which will absorb lubricants from the firearm. Before using after storage, follow complete instructions stated in this manual for re-familiarization with the firearm. A thorough inspection and function test should be performed before going into the field. Have your firearm periodically checked by a qualified gunsmith.



A note about the warnings and information contained in this manual:

We strongly suggest that you check with your local licensed retailer or state police for additional information concerning firearms ownership, or hunting or target shooting rules that may be required by local law or regulation. Since such rules and regulations are subject to change, local authorities are in the best position to advise you on such matters.

TABLE OF CONTENTS

	Page
Unpacking Your New Rimfire Lever Action Firearm	4
General Information and Mechanical Characteristics	4
Mechanical Safety	4
To Load and Unload the Firearm	6
Firing	7
Disassembly/Assembly	8
Cleaning and Lubrication	8
Function Testing	9
Sight Adjustment	10
Hammer Extension	11
Precautions and Care with your Firearm	11
Service Instructions	12
Warranty Information	13
Parts List	14
Exploded View	15
<i>Basic Rules of Safe Firearms Handling</i>	<i>Back Cover</i>



WARNING: This product can expose you to chemicals, including lead, which are known to the State of California to cause cancer and birth defects or other reproductive harm. For more information go to www.P65Warnings.ca.gov.



OPERATING INSTRUCTIONS



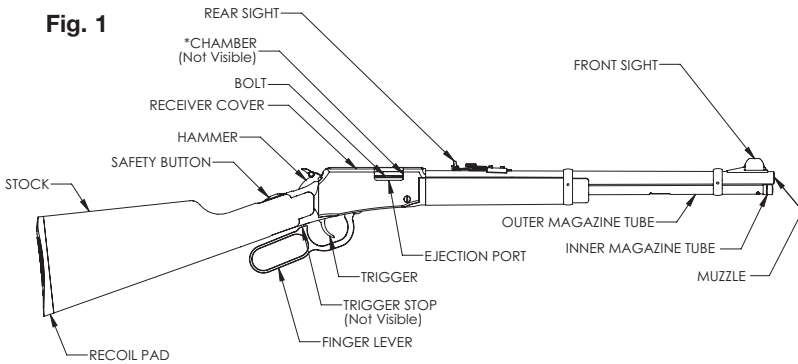
Read and understand this entire manual and its safety warnings before handling this firearm.

UNPACKING YOUR NEW RIMFIRE LEVER ACTION FIREARM

When shipped from the factory the firearm has a protective coat of oil on its metal parts. Before using the firearm, visually and physically inspect the inside of the barrel to be sure it is free of any excess oil, grease or any obstructions. Obstructions of any kind can cause damage to the firearm and could cause serious injury or death to you or those around you.

GENERAL INFORMATION AND MECHANICAL CHARACTERISTICS

The 464™ Rimfire Lever Action is designed to operate ONLY with the caliber inscribed on the barrel.



*The chamber is the rear most part of the barrel. It can be seen when the bolt is in the "open" position.

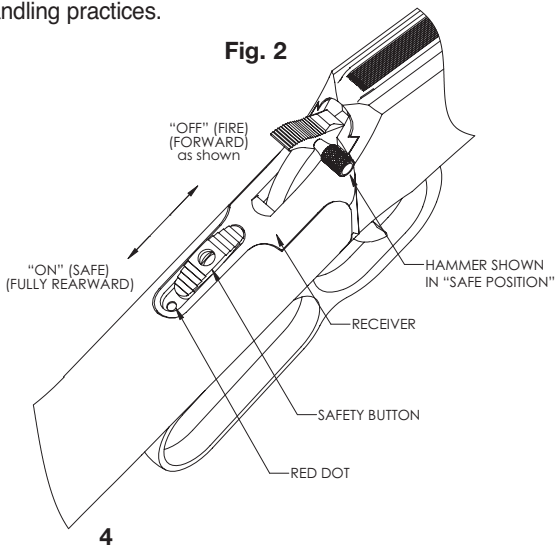
MECHANICAL SAFETY

The safety button is located on the top rear portion of the receiver (Fig. 2) and must be manually moved to the desired position by the shooter.



Remember, a firearm's manual safety is a mechanical device which can never replace safe firearm handling practices.

The manual safety, when engaged, prevents the hammer from striking the firing pin. When the safety is in the "ON" (SAFE) position, and the trigger is pulled fully to its rearward position, the hammer will partially fall (shown in fig. 2), but will not strike the firing pin. When the safety is in the "OFF" (FIRE) position, and the trigger is pulled fully to its rearward position, the hammer will fall through its full range of motion and strike the firing pin.



To put the safety in the “ON” (SAFE) position, the safety button must be moved fully rearward to the safety detent. The button will now cover the red dot. The red dot is a training aid used only to show the direction of the “ON” (SAFE) position and should not be used as an indicator that the safety is “ON” or “OFF.” Moving the safety button forward toward the muzzle of the firearm will put the safety in the “OFF” (FIRE) position.



Never rely on any mechanical mechanism or safety device to prevent the dangers of careless handling or pointing a firearm in an unsafe direction.

TRIGGER STOP

The 464™ Rimfire Lever Action is fitted with a trigger stop (Fig. 1).



The trigger stop is a mechanical means of ensuring that the bolt is fully closed before discharging the firearm. **It is not a safety**, and should not be relied upon to prevent accidental discharge of the firearm.

The trigger stop is actuated by the finger lever and helps prevent discharge of the firearm when the bolt is not fully closed. When the finger lever is closed but not held tight to the stock, the trigger stop blocks the trigger motion, preventing the trigger from moving fully to its rearward position. Pulling the finger lever tight to the stock releases the trigger stop and allows the trigger to travel fully to its rearward position. If the safety button is in the “OFF” (FIRE) position and the trigger is pulled to its full rearward position, the hammer will strike the firing pin and fire the firearm if a cartridge is in the chamber.

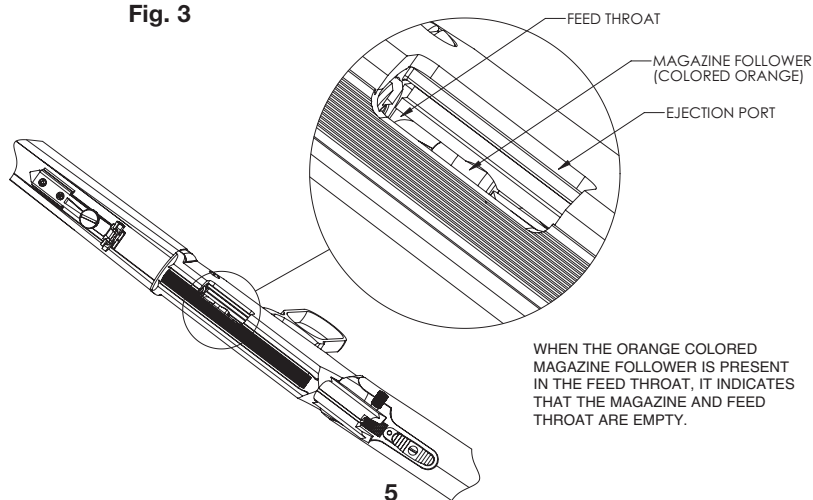
MOVING THE HAMMER TO THE SAFE POSITION

Keep the rifle pointed in a safe direction. Make absolutely certain that the safety button is fully rearward in the “ON” (SAFE) position. Firmly grip the rifle. Using your thumb, place and keep pressure on the hammer, pulling it back slightly. Pull the finger lever tight against the stock and gently pull the trigger just enough to release the hammer from the cocked position. Keeping pressure on the hammer, allow it to come **SLOWLY** forward to the safe position (Fig. 2).

TO CHECK THAT THE FIREARM IS UNLOADED

With the action open, check the chamber and feed throat to be sure the firearm is unloaded. To check the feed throat, look down through the ejection port. If no cartridges are present in the magazine or feed throat, the orange magazine follower will be visible projecting into the feed throat (Fig. 3)

Fig. 3





TO LOAD AND UNLOAD THE FIREARM

The 464™ Rimfire Lever Action has a magazine capacity of 14 cartridges. The firearm is designed to operate **ONLY** with the caliber inscribed on the barrel.

LOADING A SINGLE CARTRIDGE



During loading, never allow fingers or any objects to contact the trigger. Keep the muzzle pointed in a safe direction at all times.

Keep the firearm pointed in a safe direction. Make sure the safety button is fully rearward in the “ON” (SAFE) position. With the action open, check the chamber and feed throat as described above, to be sure the firearm is unloaded. Tilt the muzzle downward and start the nose of a cartridge in the chamber. Release the cartridge and allow it to drop fully into the chamber. Close the action by pulling the finger lever up.



Do not touch the trigger until you are on target and have decided to fire.

LOADING THE MAGAZINE

Cartridges are loaded into the magazine through the loading port on the underside of the outer magazine tube (Fig 4).

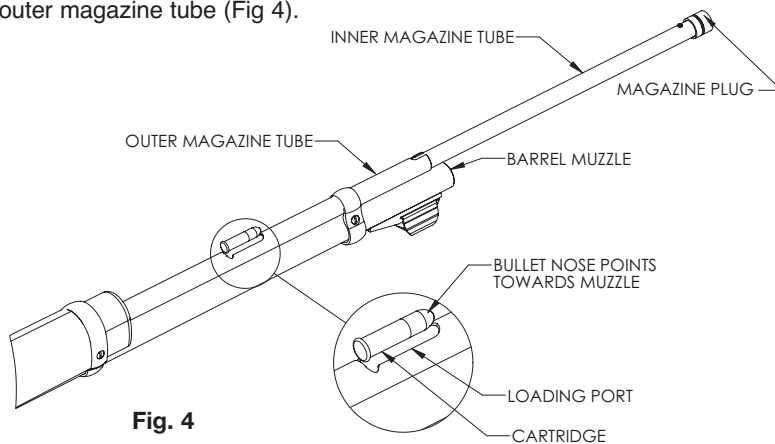


Fig. 4

Keep the firearm pointed in a safe direction. Make sure the safety button is in the “ON” (SAFE) position. Open the action, and check the chamber and feed throat as described above, to be sure the firearm is unloaded (Fig 3). Keeping the action open, turn the firearm upside down. Push down on the magazine plug and turn the inner magazine tube counter-clockwise to unlock from the outer magazine tube. Slide the inner magazine tube out far enough to uncover the loading port in the outer magazine tube. Tilt the muzzle upwards. Load the cartridges through the loading port allowing them to slide towards the receiver. The cartridges must be oriented with the nose pointed towards the muzzle in order to pass through the loading port (Fig 4). Load the desired number of cartridges (14 max). Carefully slide the inner magazine tube fully into the outer magazine tube and turn it clockwise to lock it in place. The inner magazine tube is under increasing spring force as it is slid into the outer magazine tube, so use caution. Turn the firearm right side up. A cartridge will be visible in the feed throat. If no cartridge is placed directly into the chamber, the action must be closed, then opened and closed again to chamber a cartridge.



Do not touch the trigger until you are on target and have decided to fire.





UNLOADING THE FIREARM

Make sure the safety is in the “ON” (SAFE) position. Open the action. If a cartridge is in the chamber, it will be ejected. Before proceeding, check the chamber to be sure it is empty. Keeping the action open, point the muzzle upwards. Turn the inner magazine tube counterclockwise to unlatch it and slide it completely out of the outer magazine tube. Turn the firearm upside down and tilt the muzzle downward allowing the cartridges to slide out of the magazine into a suitable container. Replace the inner magazine tube. Cycle the action several times. This will eject any cartridge left in the magazine, feed throat or chamber. With the action open, check the chamber and feed throat to be certain the firearm is unloaded (Fig. 3).



After unloading, always visually and physically inspect that there are no cartridges in the chamber, magazine or feed throat.

As a safety procedure, every time shooting has stopped or the firearm is unloaded, move the safety button fully rearward to the “ON” (SAFE) position and move the lever to the open position.

FIRING



Use of this product, including discharging firearms in poorly ventilated areas, cleaning firearms, or handling ammunition can result in exposure to chemicals, including lead, which are known to the state of California to cause serious physical injury, including cancer, birth defects or other reproductive harm. For more information, go to www.P65Warnings.ca.gov.

Have adequate ventilation at all times and wash hands thoroughly after exposure.

Keep the firearm pointed in a safe direction and the safety in the “ON” (SAFE) position. Chamber a cartridge as described under the “TO LOAD AND UNLOAD THE FIREARM” section of this manual.

With the firearm pointed in a safe direction and held in a proper firing position, move the safety button fully forward to its “OFF” (FIRE) position. Squeeze the lever tight against the stock. (This releases the trigger stop). Pull the trigger through its full travel to the rear to fire the firearm.



Should any cartridge fail to fire, keep the muzzle pointed in a safe direction for at least thirty (30) seconds in case the cartridge is a “hangfire” (delayed firing of the cartridge after being struck by the firing pin). Then carefully open the action and remove the misfired round. Move the safety button fully rearward to the “ON” (SAFE) position. Segregate the misfired cartridge from other ammunition. Do not attempt to refire a misfired round.



If at any time during firing, the sound of any cartridge is noticeably louder or softer than previous cartridges fired, STOP! Do not load or fire additional cartridges. Keep the muzzle pointed in a safe direction, and while keeping the ejection port of the firearm turned away from your face (to protect your eyes in the event a defective cartridge explodes), open the action. Visually and physically verify that the chamber is empty. Move the safety button fully rearward to the “ON” (SAFE) position. After unloading, inspect your firearm for possible damage or obstructions in the chamber or bore. Firing the firearm with a bore obstruction can cause damage to the firearm and may result in serious personal injury to the shooter and/or others nearby.

After firing, pulling the finger lever fully open and fully closed will eject the spent casing and chamber the next live cartridge. The firearm is again ready to fire.





DISASSEMBLY/ASSEMBLY

Normal maintenance of your Mossberg 464™ Rimfire Lever Action requires the removal of the receiver cover (see exploded view). Open the action approximately 1/2 way and remove the two (2) takedown screws. Carefully slide the receiver cover off the receiver (the bolt will stay in the receiver cover). The bolt can now be removed from the receiver cover. Further disassembly is neither required nor recommended. To reassemble, slide the bolt into the receiver cover until approximately one (1) inch remains exposed. Ensure that all of the pivot pins in the receiver are flush with the sides of the receiver. Carefully slide the receiver cover and bolt onto the receiver, aligning the finger lever cam to the mating slot in the bolt. Do not force any component and take care to not scratch any component. Install and tighten the two (2) takedown screws. Cycle the action to check for binding and then perform a function test prior to using the firearm.

CLEANING AND LUBRICATION

With proper care, your Mossberg 464™ Rimfire Lever Action will provide you with years of dependable service. Your firearm should be inspected and cleaned periodically to ensure that it remains in good condition. Clean your firearm as soon as possible after use. This is especially important if your firearm has been exposed to moisture. For maximum performance and continued satisfaction with your firearm, periodic cleaning and lubrication are essential. Wear eye protection during cleaning.



Always be sure that the safety button is fully rearward in the “ON” (SAFE) position (Fig. 2) and that the firearm is unloaded by visually and physically checking the chamber, and feed throat (Fig. 3) before cleaning your firearm. Wear eye protection during cleaning.

Follow the instructions and use the equipment provided in a quality gun cleaning kit.

All metal parts should be cleaned with an appropriate gun cleaning solvent and lightly lubricated with gun oil. Over lubrication should be avoided. Use only lubricants specially designed for firearms. Avoid the use of abrasives, which may damage the metal finish.

Normal use requires only that the mechanisms be free of excessive shooting residue. Very little lubrication other than a light oiling of the action and external surfaces is needed to prevent rust.

If the firearm is to be stored for a long period of time, it should be thoroughly cleaned and oiled. Do not plug the barrel or store the firearm in a case that will absorb lubricants.

CLEANING THE BARREL

Follow the instructions and use the equipment provided in a quality gun cleaning kit.

Remove the receiver cover and bolt (see Disassembly/Assembly section). To clean the barrel, moisten the correct caliber (the caliber is inscribed on the barrel) brass cleaning brush with solvent and insert it into the barrel from the chamber end. Care must be taken not to damage the muzzle. Scrub the barrel several times.

Use the correct caliber cleaning rod with a clean cloth patch to wipe the bore dry. Repeat several times, using a new patch each time, until barrel is clean and shows no signs of residue. A final pass with a lightly oiled patch will provide a protective coating.



Make sure the barrel is free of obstructions and excessive lubricant after cleaning. Be sure not to leave cleaning patches or excessive oil or grease in the bore as they can create dangerous obstructions. Obstructions of any kind can cause damage to the firearm and could cause serious injury or death to you or those around you.





LUBRICATING THE ACTION

Apply a few small drops of oil on the following surfaces (Fig. 5):

- a. Along the bolt surfaces.
- b. The bolt guide rails.
- c. Finger lever pivot

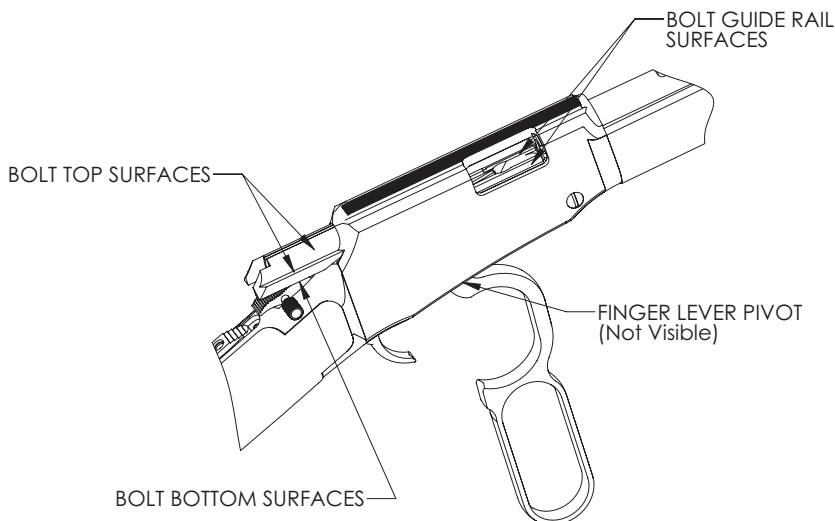


Fig. 5

FUNCTION TESTING



AFTER PERFORMING ANY WORK ON YOUR FIREARM SUCH AS CLEANING, DISASSEMBLY OR INSTALLATION OF AN ACCESSORY:

- a. Move the safety button fully rearward to the "ON" (SAFE) position and keep the muzzle pointed in a safe direction.
- b. **Open the action and visually and physically inspect the chamber, and feed throat to be certain the firearm is unloaded (Fig. 3).**

Keep the safety button fully rearward in the "ON" (SAFE) position. Keep the muzzle pointed in a safe direction. Open and close the lever several times to check for free movement of the action assembly.

Close the lever and leave the safety button fully rearward in the "ON" (SAFE) position. With the lever held loosely (not tight against the stock), try pulling the trigger. The trigger should not move fully rearward and the hammer should not fall.

Keep the safety button fully rearward in the "ON" (SAFE) position. Squeeze the lever tight against the stock and pull the trigger. The trigger should move fully rearward. The hammer should only partially fall and not strike the firing pin. (As a check, keep squeezing the lever tight against the stock and pulling the trigger fully rearward. Try to push the hammer forward. You should not be able to push the hammer forward and make contact with the firing pin).



Release the trigger and cycle the action. Move the safety button forward to the "OFF" (FIRE) position. Make certain the firearm is pointed in a safe direction. Squeeze the lever tight to the stock and pull the trigger. The hammer should fall through its full range of motion and strike the firing pin. (As a check, keep squeezing the lever tight against the stock and pulling the trigger fully rearward. Try to push the hammer forward. You should be able to push the hammer forward and make contact with the firing pin).

When you have completed the function testing, open the action and move the safety fully rearward to the "ON" (SAFE) position.



IF YOUR FIREARM DOES NOT PERFORM AS DESCRIBED IN ANY OF THE PREVIOUS STEPS, CONTACT THE FACTORY AUTHORIZED PRODUCT SERVICE CENTER IMMEDIATELY. DO NOT ATTEMPT TO USE THE FIREARM.



Firearms are complicated mechanisms. Any modification, alteration, or improper fitting of parts may result in a dangerous malfunction, damage to the firearm and injury to the shooter and /or those around you. The firearm's owner must accept full responsibility for the correct reassembly and functioning of the firearm after any disassembly or replacement of parts.

SIGHT ADJUSTMENT

BEFORE MAKING ANY SIGHT ADJUSTMENT:



- a. Move the safety button fully rearward to the "ON" (SAFE) position and keep the muzzle pointed in a safe direction.
- b. Open the action, visually and physically check the chamber and feed throat to be certain the firearm is unloaded (Fig. 3).

REAR SIGHT ADJUSTMENT

The elevation of the rear sight blade can be raised by turning the height adjustment screw clockwise (Fig. 6) To lower the elevation, turn the height adjustment screw counterclockwise.

Windage is adjusted by moving the rear sight blade to the left or to the right. To move the blade to the right, turn the windage screw clockwise (Fig. 6). To move it to the left, turn the windage screw counterclockwise.

Remember: Move the rear sight in the same direction you would want the shot to move. For example, if the point of impact is low and to the left from the point of aim, move the rear sight upward and to the right.

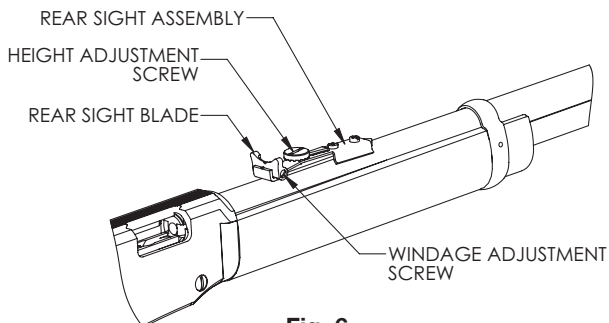


Fig. 6

HAMMER EXTENSION

The Model 464™ Rimfire Lever Action is supplied with a hammer extension. The hammer extension can be used when a scope is mounted to the firearm. It extends from the side of the hammer and makes it easier to operate the hammer. It can be mounted either in the right hand or left hand position.

Before installing, place a drop of thread locking compound on the threaded end of the hammer extension. Insert the threaded end of the hammer extension into the threaded hole in the right or left side of the hammer. (Right-handed shooters usually prefer mounting on the right side of the hammer). Hand tighten the hammer extension into the hammer, (Fig. 7).

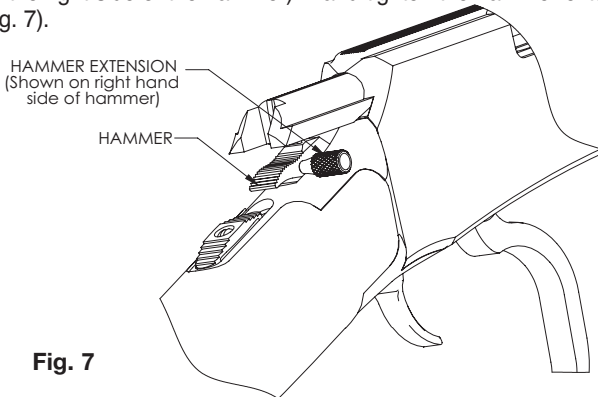


Fig. 7

PRECAUTIONS AND CARE WITH YOUR FIREARM

When you store your firearm, make sure that the magazine, feed throat and the chamber are empty. Keep the action open. We strongly urge you to use the lock shipped with this firearm. The lock fits over the lever and trigger and keeps the action open. To fit the lock, turn the key to the unlock position and separate both halves. Place the left half over the lever and trigger as shown in Fig. 8a. Slide the right half over the left half pins and turn the key to the lock position (Fig 8b).

Fig. 8a

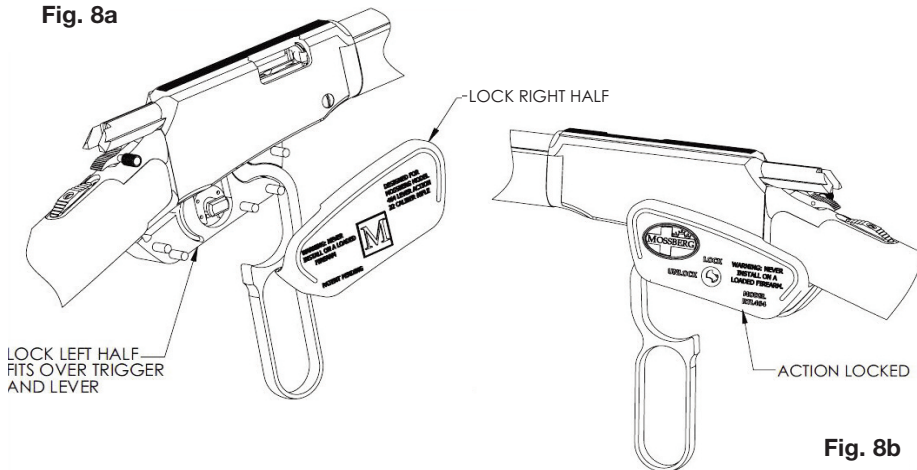


Fig. 8b

Handling leaves finger prints that can cause metal parts to rust. Abrupt changes in temperature can cause condensation and moisture. Wipe the barrel and other metal parts with light oil after handling.

SERVICE INSTRUCTIONS

Should your firearm, or any component of your firearm require service, ship your entire firearm (please do not send components only), via your chosen carrier, postage paid (we do not accept C.O.D. shipments), following these instructions:

Repairs in the U.S.

For faster repair service, please start the process by filling out our Service Request Form online at <http://www.mossberg.com/service> prior to shipping your firearm.



- **Make absolutely certain your firearm is unloaded.**
- **Do not send ammunition with your firearm.**
- Remove all accessories from your firearm such as scopes, slings, mounts, etc.
- Ship your firearm in a suitable container, packaging it securely to prevent parts from shifting and/or damage during shipping.
- Include a note with a clear description of the service you wish us to perform, your complete return shipping address (no P.O. boxes please), your daytime telephone number and your e-mail address (if available).
- It is advisable to place your correspondence inside your shipping container when shipping.

SHIPPING ADDRESS

Mossberg Product Service Center
1001 Industrial Blvd.
Eagle Pass, TX 78852

If you have any service related questions, please contact the Product Service Center at (800) 363-3555 or service@mossberg.com

TO ORDER PARTS

To order parts from the Product Service Center, you can fax, phone, email, or mail your order to one of the below numbers/addresses.

Fax Number: (203) 230-5420
Phone Number: (800) 363-3555
E-mail Address: service@mossberg.com
Mailing Address: Mossberg Product Service Center
1001 Industrial Blvd.
Eagle Pass, TX 78852
Attn: Order Department

Please provide your name, address, city, state, zip, your daytime phone number and e-mail (if available). The Product Service Center will need the Model #, Serial #, Gauge/Caliber, Finish, Item #, and Part Name. There is a \$7.50 (U.S.) minimum parts order charge. Most major credit cards, money orders, and bank drafts are accepted.

Service outside of the U.S.A.

For Mossberg firearm parts and service requirements outside of the United States, customers are requested to contact the closest Mossberg stocking dealer/distributor.

MOSSBERG WARRANTY
464™ RIMFIRE LEVER ACTION
TWO (2) YEAR LIMITED WARRANTY

Limited Warranty: O.F. Mossberg & Sons, Inc. ("Mossberg") warrants to you, the original retail purchaser of a new Mossberg® 464™ Rimfire Lever Action (the "Mossberg firearm"), that the Mossberg firearm will be free of defects in material or manufacture for a period of two (2) years from the date of your purchase of the new Mossberg firearm (the "Warranty Period") in the United States or Canada. This is the only express warranty on the Mossberg firearm. MOSSBERG MAKES NO OTHER WARRANTIES OF ANY KIND OR CONDITIONS, INCLUDING, BUT NOT LIMITED TO ANY IMPLIED WARRANTY OF MERCHANTABILITY OR FITNESS FOR A PARTICULAR PURPOSE. This Limited Warranty gives you specific legal rights, and you may have other rights that vary from State to State.

Purchaser's Remedy: During the Warranty Period, Mossberg will, at its sole option, (1) repair the Mossberg firearm or any part thereof that, upon examination and testing by Mossberg, does not conform to the Limited Warranty without charge to you for parts or labor, or (2) replace the Mossberg firearm with a new or similar model. THIS REMEDY SHALL BE YOUR EXCLUSIVE AND SOLE REMEDY FOR ANY BREACH OF WARRANTY. MOSSBERG SHALL NOT BE RESPONSIBLE FOR ANY OTHER EXPENSES, LOSSES OR INCONVENIENCE THAT YOU MAY SUSTAIN AS A RESULT OF THE PURCHASE, USE, MALFUNCTION OR DEFECTIVE CONDITION OF THE MOSSBERG FIREARM. Mossberg reserves the right to inspect, examine and/or test the Mossberg firearm to assess any claim made under the Limited Warranty.

EXCLUSIONS: THIS WARRANTY DOES NOT COVER THE COSMETIC APPEARANCE OF THE MOSSBERG FIREARM OR ANY DAMAGE CAUSED BY:

- (1) NORMAL WEAR AND TEAR;
- (2) FAILURE TO PERFORM PROPER CARE AND MAINTENANCE;
- (3) ACCIDENTS, ABUSE OR NEGLIGENCE;
- (4) BARREL OR BORE OBSTRUCTIONS;
- (5) FAILURE TO FOLLOW THE INSTRUCTIONS AND WARNINGS THAT ACCOMPANY THE MOSSBERG FIREARM; OR
- (6) THE USE OF DEFECTIVE, NON-SAAMI STANDARD, REMANUFACTURED, HAND-LOADED, AND/OR RELOADED AMMUNITION.

IN ADDITION, ANY UNAUTHORIZED REPAIRS, ALTERATIONS OR MODIFICATIONS TO THE MOSSBERG FIREARM WILL AUTOMATICALLY VOID THE LIMITED WARRANTY.

LIMITATION OF DAMAGES: EXCEPT WHERE PROHIBITED BY LAW, MOSSBERG WILL NOT BE LIABLE FOR ANY LOSS OR DAMAGE WHATSOEVER ARISING FROM THE USE OF THIS MOSSBERG FIREARM, WHETHER DIRECT, INDIRECT, SPECIAL, INCIDENTAL, CONSEQUENTIAL OR PUNITIVE, REGARDLESS OF THE LEGAL THEORY ASSERTED, INCLUDING CONTRACT, WARRANTY, NEGLIGENCE, OR STRICT LIABILITY. SOME JURISDICTIONS DO NOT ALLOW LIMITATIONS ON HOW LONG AN IMPLIED WARRANTY LASTS, OR THE EXCLUSION OF INCIDENTAL OR CONSEQUENTIAL DAMAGES, SO THE ABOVE LIMITATIONS MAY NOT APPLY TO YOU.

Warranty Service: To obtain service under this Limited Warranty, you must follow the instructions found in the "Service Instructions" section of the Owner's Manual and return the Mossberg firearm to the authorized Product Service Center. You are responsible for all shipping costs to the Product Service Center. Mossberg will not accept COD shipments of any Mossberg firearm for service. After repair or replacement, the Mossberg firearm or a similar model will be returned to you, return postage paid by Mossberg. If we replace the Mossberg firearm, we will keep the firearm that you returned to Mossberg.

Modification of Warranty: No agent, representative, distributor, or authorized dealer of Mossberg firearms has any authority to modify the terms or conditions of the Limited Warranty in any way. The Limited Warranty may only be modified in writing by an authorized officer of Mossberg.

THIS LIMITED WARRANTY IS EFFECTIVE JANUARY 1, 2008.

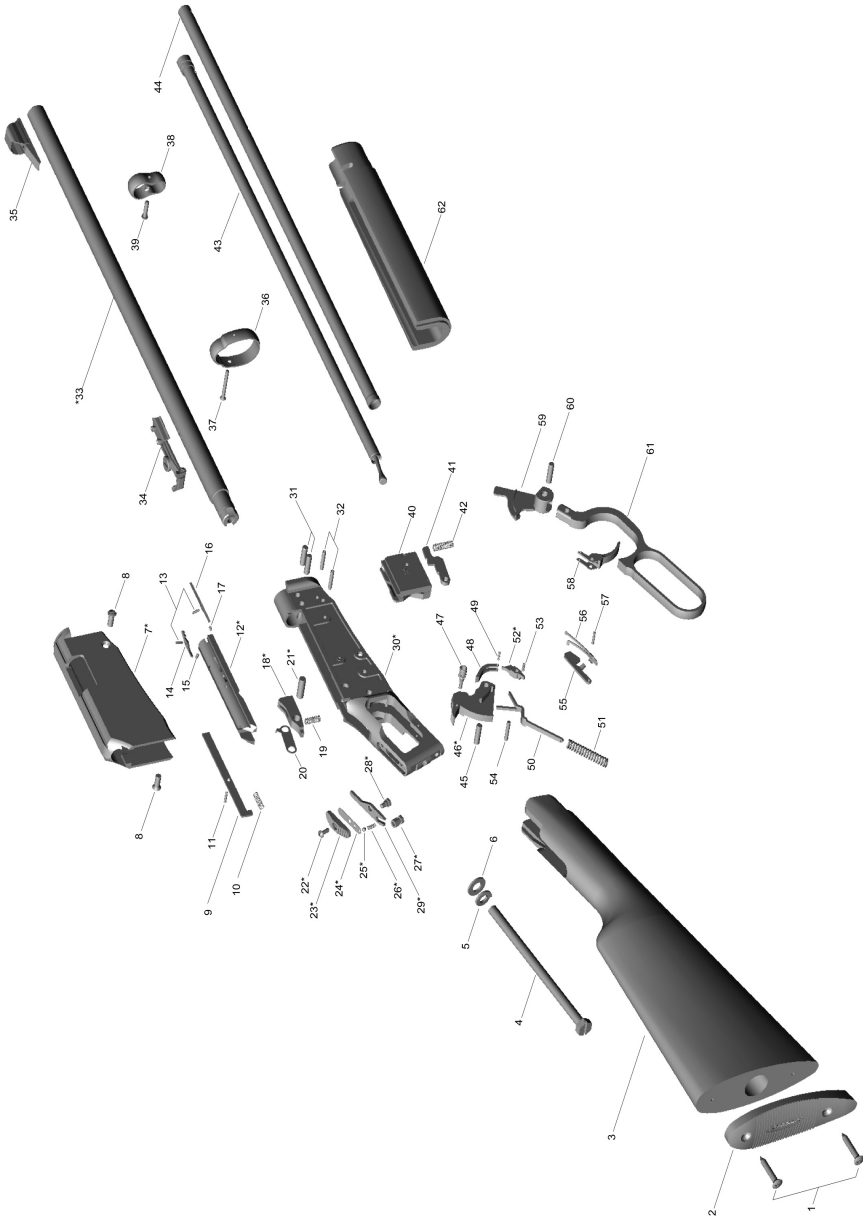
464™ RIMFIRE LEVER ACTION PARTS LIST

ITEM #	DESCRIPTION	ITEM #	DESCRIPTION	ITEM #	DESCRIPTION
1	Recoil Pad Screw (2)	28	*Safety Pivot Screw	55	Trigger Stop
2	Recoil Pad	29	*Safety Arm	56	Trigger Stop Sear Spring
3	Stock	30	*Receiver	57	Trigger Stop Pin
4	Stock Bolt	31	Barrel Retaining Pin (2)	58	Trigger
5	Stock Bolt Lockwasher	32	Magazine Tube Retaining Pin (2)	59	Finger Level Cam
6	Stock Bolt Washer	33	*Barrel	60	Finger Level Pin
7	*Receiver Cover	34	Rear Sight Assembly	61	Finger Level
8	Takedown Screw (2)	35	Front Sight Assembly	62	Forearm
9	Firing Pin	36	Rear Barrel Band		
10	Firing Pin Spring	37	Rear Band Screw		
11	Slotted Spring Pin	38	Front Barrel Band		
12	*Breech Bolt	39	Front Band Screw		
13	Extractor Pin (2)	40	Feed Throat Assembly		
14	Left Extractor	41	Carrier		
15	Left Extractor Spring	42	Carrier Spring		
16	Right Extractor	43	Inner Magazine Tube Assembly		
17	Right Extractor Spring	44	Outer Magazine Tube		
18	*Bolt Lock	45	Finger Level Pin (2)		
19	Bolt Lock Spring	46	*Hammer		
20	Bolt Lock Actuator	47	Hammer Extension		
21	*Bolt Lock Pin	48	Hammer Block		
22	*Safety Button Screw	49	Hammer Block Pin		
23	*Safety Slide	50	Hammer Spring Strut		
24	*Safety Detent Plate	51	Hammer Spring		
25	*Safety Detent Ball	52	*Sear		
26	*Safety Detent Spring	53	Trigger Return Spring		
27	*Safety Detent Actuator	54	Sear Pin		

* Items on parts list are reserved for qualified gunsmiths or the authorized Product Service Center only.



EXPLODED VIEW



FIREARMS SAFETY DEPENDS ON YOU. MAKE NO MISTAKE ABOUT IT!

From the time an individual picks up a firearm, that individual shooter becomes a part of a system over which he or she has complete control. He or she is the only part of the system that can make a gun safe – or unsafe. Hunting and target shooting are among the safest of all sports. This booklet is intended to make them even safer – by re-emphasizing and reaffirming the basics of safe gun handling and storage and by reminding each individual shooter that he or she is the key to firearms safety. You can help meet this responsibility by enrolling in hunter safety or shooting safety courses. You must constantly stress safety when handling firearms, especially to children and non-shooters. Newcomers in particular must be closely supervised when handling firearms with which they may not be acquainted. Don't be timid when it comes to gun safety. If you observe anyone violating any safety precautions, you have an obligation to suggest safer handling practices, such as those in this booklet. Please read these rules carefully and follow the safety procedures outlined. Firearms safety is up to you. Make no mistake about it.

- 1. ALWAYS KEEP THE MUZZLE POINTED IN A SAFE DIRECTION**
- 2. FIREARMS SHOULD BE UNLOADED WHEN NOT ACTUALLY IN USE**
- 3. DON'T RELY ON YOUR GUN'S "SAFETY"**
- 4. BE SURE OF YOUR TARGET AND WHAT'S BEYOND IT**
- 5. USE CORRECT AMMUNITION**
- 6. IF YOUR GUN FAILS TO FIRE WHEN THE TRIGGER IS PULLED, HANDLE WITH CARE**
- 7. ALWAYS WEAR EYE AND EAR PROTECTION WHEN SHOOTING**
- 8. BE SURE THE BARREL IS CLEAR OF OBSTRUCTIONS BEFORE SHOOTING**
- 9. DO NOT ALTER OR MODIFY YOUR GUN, AND HAVE GUNS SERVICED REGULARLY**
- 10. LEARN THE MECHANICAL AND HANDLING CHARACTERISTICS OF THE FIREARM YOU ARE USING**

Courtesy of
Sporting Arms and Ammunition Manufacturers' Institute, Inc.